

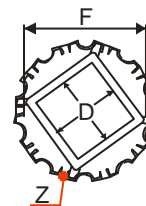
## STRAIGHT RUNNING NETS

## ALPHAbelt S2825

### SPROCKETS.

The design and the production material (AC) of the sprockets, ensure their longer life duration.

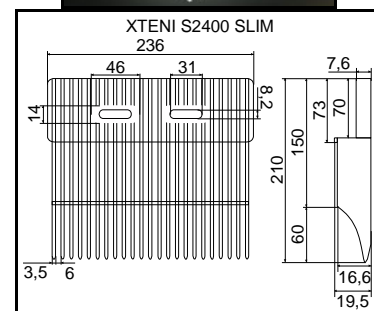
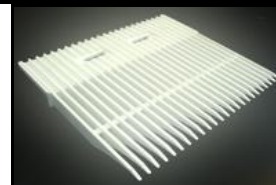
They are produced with 10 teeth (Z10,  $\Phi 63$  mm.), with 20 teeth (Z20,  $\Phi 144$  mm.), for square shaft 40 X 40 mm.



Z	F	D
10	63	40
12	95	40
20	144	40

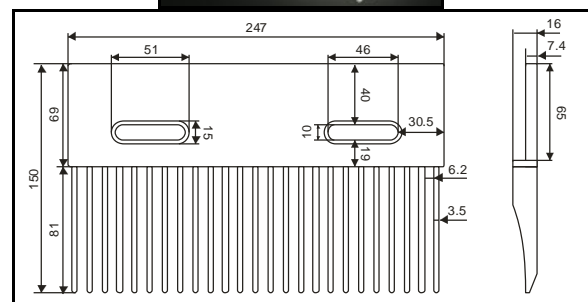
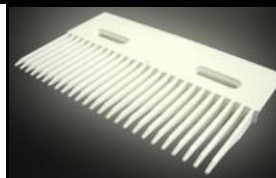
### COMB SLIM L210.

It works with all the heights of the escalator flights type RN of the series 2825, creating a bridge for the smooth transfer of the products from and towards the co-working belts, «combing» in the same time **the escalator flights**, unsticking any product that stic on the flight.



### COMB SLIM L150.

It works with all the heights of the escalator flights type RN of the series 2825, creating a bridge for the smooth transfer of the products from and towards the co-working belts, «combing» in the same time **the escalator flights**, unsticking any product that stic on the flight.



### XTENI Z8.

It works with the escalator flight height 25 mm. type RN series 2825, creating a bridge for the smooth transfer of the products from and towards the co-working belts, «combing» in the same time **the escalator flights**, unsticking any product that stic on the flight.

