

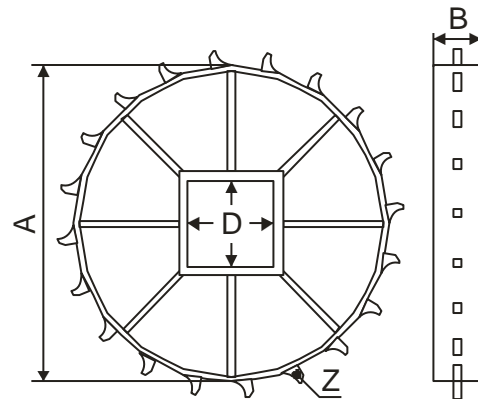
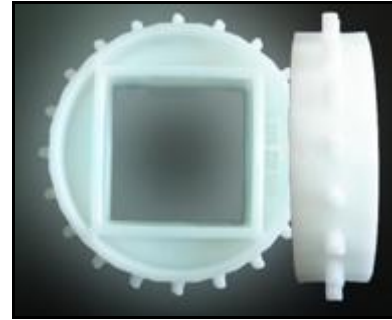
**STRAIGHT RUNNING NETTINGS**

**ALPHAbelt S2115**

**SPROCKETS.**

The sprockets **ALPHAbelt S2115** are made of the material Acetal (AC), a material with great resistance in friction.

They are produced with 12 teeth (Z12,  $\Phi$ 39 mm.) for square shaft 20X20 mm, with 20 teeth (Z20,  $\Phi$ 71 mm.) for square shaft 40X40 mm. and with 30 teeth (Z30,  $\Phi$ 112 mm.) for square shaft 40X40 mm.



Z	D	A	B
12	20	39	10
20	40	71	20
30	40	112	20