

ACCESSORIES RANGE

SPRAYING JETS & CLAMPS

CENTRIFUGAL SPRAYING JETS 1/4" & CLAMP Φ28-32, FOR HOT & COLD WATER.

JET CODE	PLUG HOLE A (mm)	SUPPLY IN 2bar lit/min	SPRAYING DIAMETER Φ (mm)
405050-025	2,5	4	500
405051-050	5,0	10	500
405052-080	8,0	20	500

Clamp code 1/4": 405049-011

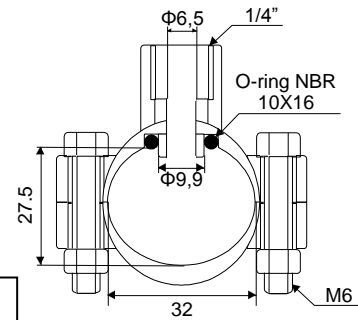
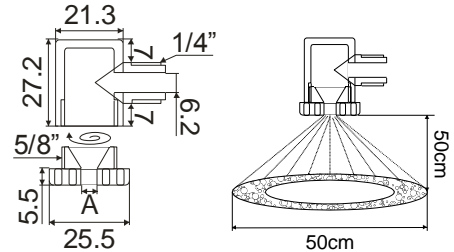
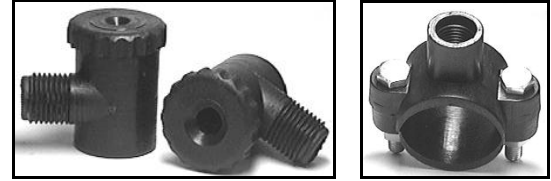
Production materials:

Body: PP

Bolts: SS AISI 304

O-ring: NBR

Functioning temperature: From +1 up to +95°C



CENTRIFUGAL SPRAYING JETS 3/8" & CLAMP Φ28-32, , FOR HOT & COLD WATER.

JET CODE	A (mm)	SUPPLY IN 1,5bar lit/min	SPRAYING DIAMETER Φ (mm)
405053-030	3,0	5,2	1200
405053-050	5,0	12,7	1300

Clamp code 3/8": 405053-000

Production materials:

Body: PP

Bolts: SS AISI 304

O-ring: NBR

Functioning temperature: From +1 up to +95°C

