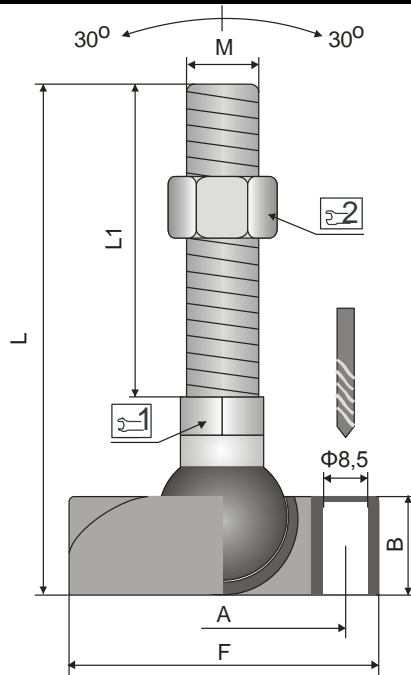



ACCESSORIES RANGE

ARTICULATED FEET WITH ROUND BASE

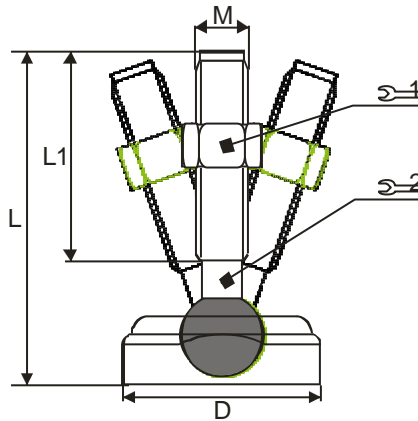
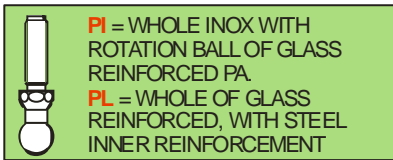



PI = WHOLE INOX WITH ROTATION BALL OF GLASS REINFORCED PA.
PL = WHOLE OF GLASS REINFORCED, WITH STEEL INNER REINFORCEMENT

CODE	F	M	L	BOLT TYPE	A	B	L1	1	2	LOAD IN KGR
410341-210	40	12	100	P	X	19.3	64	8	19	800
410341-215		14	100	PI			64	10	22	1000
410341-610		16	100	PI			64	12	24	1400
410341-611		16	100	PL			55	24	24	400
410341-615		16	150	PI			114	12	24	1400
410341-620		16	200	PI			164	12	24	1400
410361-210	60	12	100	PI	43.6	19.3	64	8	19	900
410361-410		14	100	PI			64	10	22	1100
410361-610		16	100	PI			64	12	24	1500
410361-611		16	100	PL			55	24	24	500
410361-615		16	150	PI			114	12	24	1500
410361-620		16	200	PI			164	12	24	1500
410362-015		20	150	PI			114	16	29	1600
410362-620		20	200	PI			164	16	29	1600
410381-210	80	12	100	PI	58.1	24.2	64	8	19	900
410381-410		14	100	PI			64	10	22	1100
410381-610		16	100	PI			64	12	24	1600
410381-611		16	100	PL			55	24	24	500
410381-615		16	150	PI			114	12	24	1600
410381-620		16	200	PI			164	12	24	1600
410382-015		20	150	PI			114	16	29	1700
410382-020		20	200	PI			164	16	29	1700
410391-410	100	14	100	PI	77.1	29.2	64	10	22	1100
410391-610		16	100	PI			64	12	24	1800
410391-611		16	100	PL			55	24	24	500
410391-615		16	150	PI			114	12	24	1800
410391-620		16	200	PI			164	12	24	1800
410392-015		20	150	PI			114	16	29	1900
410392-020		20	200	PI			164	16	29	1900

ACCESSORIES RANGE

ARTICULATED FEET WITH SQUARE BASE



CODE	D	M	L	BOLT TYPE	L1	1	2	LOAD IN KGR.
410412-101	40	12	100	PI	64	8	19	800
410414-101		14	100	PI	64	10	22	1000
410416-101		16	100	PI	64	12	24	1400
410416-103		16	100	PL	55	24	24	400
410416-151		16	150	PI	114	12	24	1400
410416-201		16	200	PI	164	12	24	1400
410612-101	60	12	100	PI	64	8	19	900
410614-101		14	100	PI	64	10	22	1100
410616-101		16	100	PI	64	12	24	1500
410616-103		16	100	PL	55	24	24	500
410616-151		16	150	PI	114	12	24	1500
410616-201		16	200	PI	164	12	24	1500
410620-151	80	20	150	PI	114	16	29	1600
410620-201		20	200	PI	164	16	29	1600
410812-101	80	12	100	PI	64	8	19	900
410814-101		14	100	PI	64	10	22	1100
410816-101		16	100	PI	64	12	24	1600
410816-103		16	100	PL	55	24	24	500
410816-151		16	150	PI	114	12	24	1600
410816-201		16	200	PI	164	12	24	1600
410820-151	100	20	150	PI	114	16	29	1700
410820-201		20	200	PI	164	16	29	1700
411014-101	100	14	100	PI	64	10	22	1100
411016-101		16	100	PI	64	12	24	1800
411016-103		16	100	PL	55	24	24	500
411016-151		16	150	PI	114	12	24	1800
411016-201		16	200	PI	164	12	24	1800
411020-151		20	150	PI	114	16	29	1900
411020-201	120	20	200	PI	164	16	29	1900
411216-101		16	100	PI	64	12	24	1900
411216-103		16	100	PL	55	24	24	500
411216-151		16	150	PI	114	12	24	1900
411216-201		16	200	PI	164	12	24	1900
411220-151		20	150	PI	114	16	29	2000
411220-201	20	200	PI	164	16	29	2000	