

ACCESSORIES RANGE

TRIPODES & BIPODES

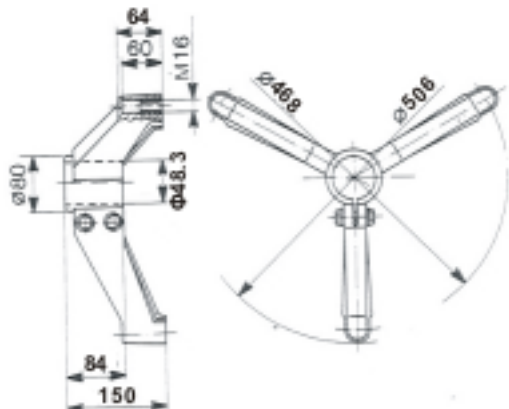
TRIPODE $\Phi 48,3$, M16.

Code: 420300-000

Articulated feet threads: Brass M16

Production material: Polyamid Glass reinforced.

Bolts: S.S. AISI 304



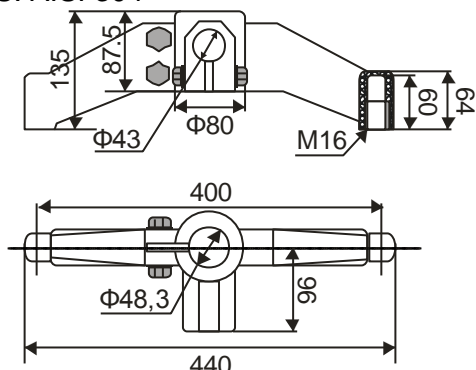
BIPODE $\Phi 48,3-42,5$, M16.

Code: 420310-000

Articulated feet threads: Brass M16

Production material: Polyamid Glass reinforced.

Bolts: S.S. AISI 304



BIPODE $\Phi 48,3$, M16.

Code: 420310-110

Articulated feet threads: Brass M16

Production material: Polyamid Glass reinforced.

Bolts: S.S. AISI 304

