

ACCESSORIES RANGE

TUBE BRACKETS

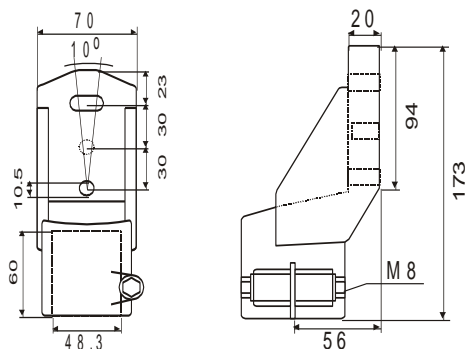
TUBE SIDE SUPPORT $\Phi 48,3$.

Code: 420370-000

Tube insertion: 48,3 mm.

Production materials: Polyamid Glass reinforced.

Bolts: S.S. AISI 304



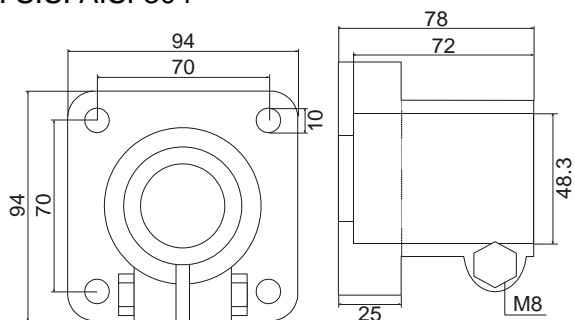
TUBE VERTICAL SUPPORT $\Phi 48,3$.

Code: 420360-000

Tube insertion: 48,3 mm.

Production materials: Polyamid Glass reinforced.

Bolts: S.S. AISI 304



TUBE JOINT $\Phi 48,3-\Phi 42,5$.

Code: 420380-000

Tube insertion: 48,3 mm.

Tube insertion: $\Phi 42,5$ mm.

Production materials: Polyamid Glass reinforced.

Bolts: S.S. AISI 304

