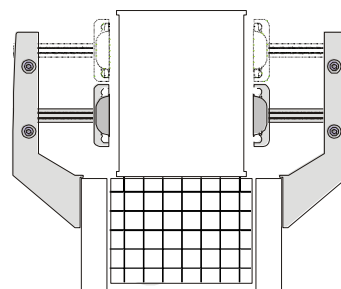


## ACCESSORIES RANGE

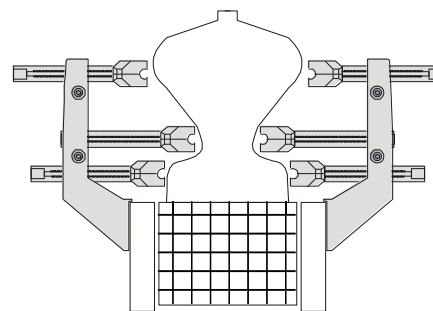
## ADJUSTABLE BRACKETS

### FOUR PLACES ADJUSTABLE BRACKET WITH ONE OR TWO RAILS

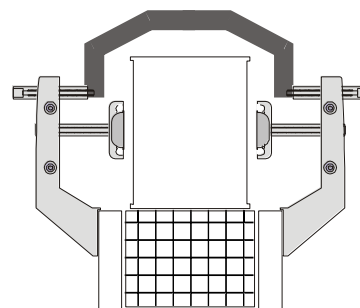
Product	Code
With Two Rails $\Phi 12$	405336-000
With One Rail $\Phi 12$	405336-010



Adjustable height and width of the rail



Capacity to retain packagings with difficult shapes



Capacity to simultaneously retain upper constructions

## ACCESSORIES RANGE

### FOUR PLACES ADJUSTABLE BRACKET WITHOUT RAILS.

Code: 405336-055

#### Production materials:

**PAGF**

Base Body.

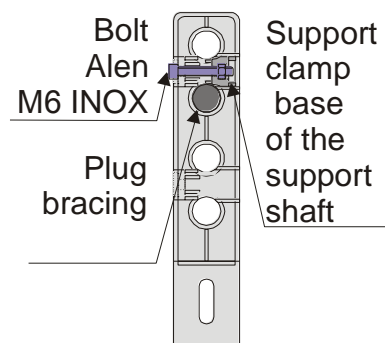
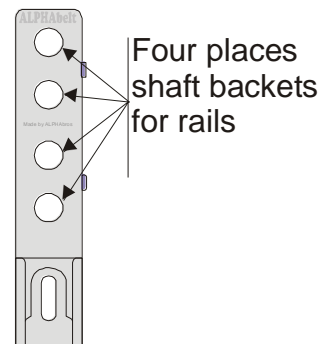
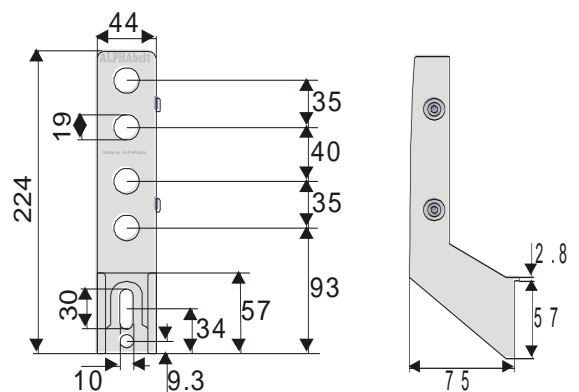
**PA6**

Support clamp base and Plug of Polvamid

**SS**

S.S. AISI 304 the metallic parts

## ADJUSTABLE BRACKETS



**ACCESSORIES RANGE****ADJUSTABLE BRACKETS****CLAMP FOR DOUBLE RAIL  $\Phi 12$ .****Stable Clamp:**

Code: 405336-100

Color: Black

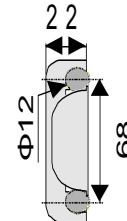
**Movable Clamp:**

Code: 405336-110

Color: Black

**Production materials:****PA6**

Polyamid 6

**SHAFT  $\Phi 19$ , M10 FOR DOUBLE RAIL.**

Code: 405336-200

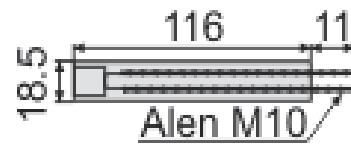
Color: Black

**Production materials:****PP**

Bolt's covering Βίδιας of Polypropelene

**SS**

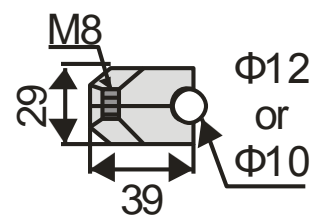
SS AISI 304 alen bolt M10 and nut M10

**CLAMP FOR SINGLE RAIL  $\Phi 10$  &  $\Phi 12$ .**Code: 405336-300 for rail  $\Phi 12$ Code: 420350-130 for rail  $\Phi 10$ **Production materials:****PA6**

Bode of Polyamid 6

**SS**

SS AISI 304 bolts and nuts

**SHAFT  $\Phi 19$ , M8 FOR SINGLE RAIL.**

Code: 405336-205

**Production materials:****PP**

Bolt's covering Βίδιας of Polypropelene

**SS**

Alen bolt M8



**SINGLE RAIL ADJUSTABLE BRACKET.**

Code: 420320-000

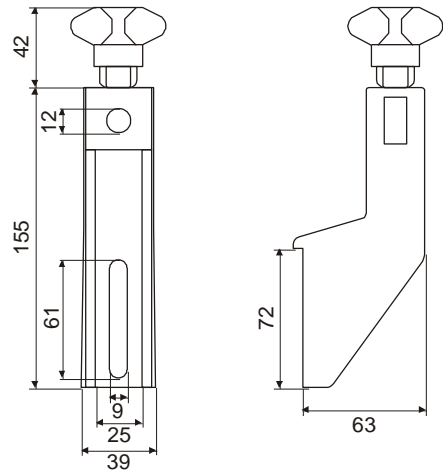
Production material: PA6GF.

Contains:

1 Adjustable Bracket

1 Handle M10

1 Bolt M10 for support of pin  $\Phi 12$



**RAIL BRACKET  $\Phi 12$  DOUBLE.**

Code: 420340-000 (A=110mm)

Code: 420340-000 (A=190mm)

Production material: PA6.

Metallic parts: S.S. AISI 304

Contains:

1 stable clamp for double rail  $\Phi 12$  code 405336-100

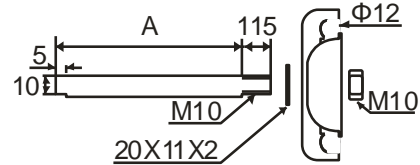
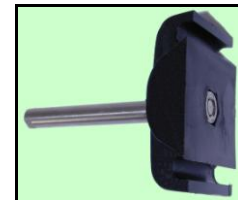
1 moveable clamp for double rail  $\Phi 12$  code 405336-110

1 set inox pin  $\Phi 12 \times 120$ , M10 with washer

and nut M10 code 420340-015

or 1 set inox pin  $\Phi 12 \times 200$ , M10 with washer

and nut M10 code 420340-016

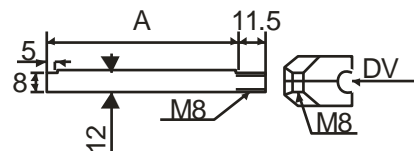


**RAIL BRACKET SINGLE.**

CODE	DV	A
420350-010	10	110
420350-012	12	110
420350-020	10	190
420350-022	12	190

Production material: PA6.

Metallic parts: S.S. AISI 304



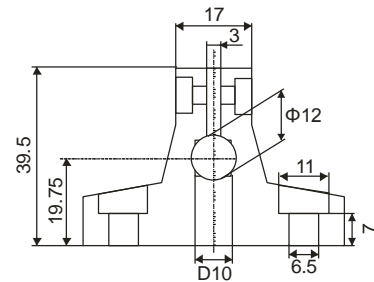
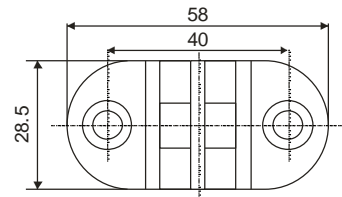
**ACCESSORIES RANGE**

**PIN BRACKETS**

**PIN'S SUPPORT BASE  $\Phi 12$ , D10.**

Code: 420351-012

**Production materials:**  
 Body: Polyamid 6 (PA6)  
 Bolt: S.S. AISI304



**PIN'S SUPPORT JOINT  $\Phi 12$ , D10.**

Code: 420351-212

**Production materials:**  
 Body: Polyamid 6 (PA6)  
 Bolt: S.S. AISI304

