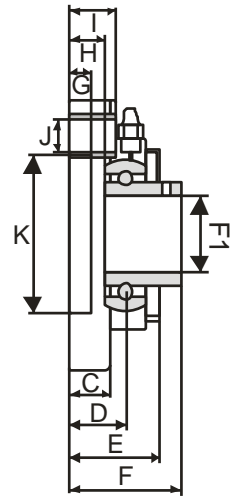
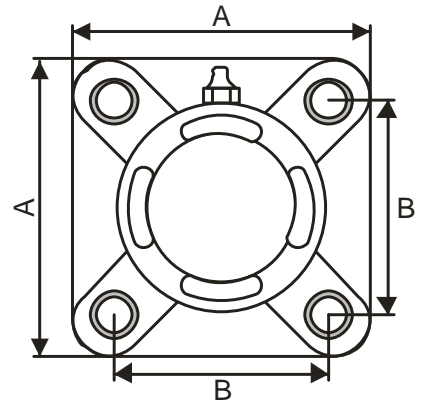
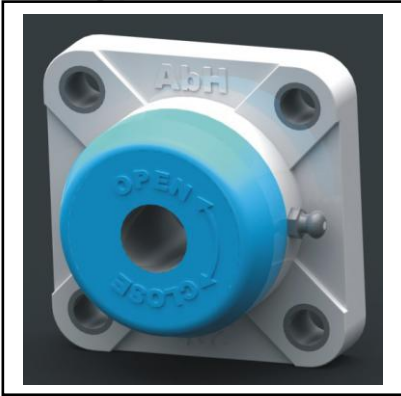


SPLITTED SQUARE BEARING HOUSINGS, AbH, TYPE TT.
Innovating product.



CODE	F1	K	A	B	C	D	E	F	G	H	I	J
410100-204	20	52	88	64,5	13	13,8	29,0	33,5	6,5	8,5	15	11
410100-205	25	62	94	70	13	16,5	30,4	38,6	6,5	11,6	15	11
410100-206	30	72	106	82	13	17,3	32,5	40,8	6,5	11,0	15	11
410100-207	35	82	118	92,5	15	20,0	34,5	43,5	6,5	11,5	16	13
410100-208	40	88	131	101	18	22,5	38,5	45,5	6,5	11,5	18	15

Production materials:

- PBT** Body of Polybutylene (Thermoplastic Polyester)
- SS** Rings and greaser SS AISI 304

Technical characteristics:

- Approved by FDA & FSDA.
- Splitted housing body for easier replace of bearing.
- Cover lock bayonet for easier check of the bearing.
- Open cover with washer prevent the grease draining.
- With place for back seal prevent the grease draining.
- Function in temperature from -35 up to +102 Celsius degrees.
- Non corrosion.
- Interchangeable with the cast iron housings.
- High mechanical strength and dimension stability.
- Prevent dirt and bacteria.

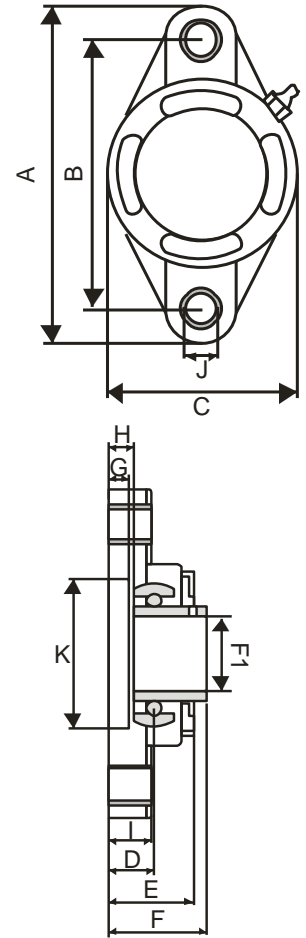
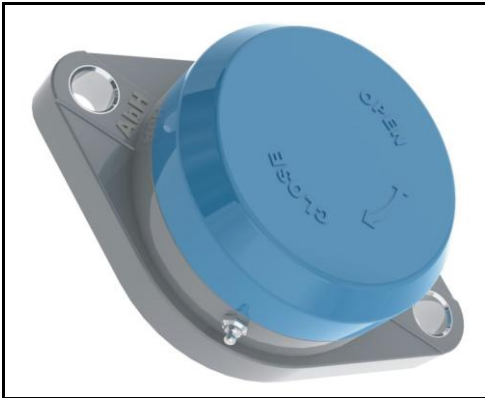
Insert accessories:

- Bearing type SB.
- Close bayonet cover.
- Open bayonet cover (with oil seal).
- Back seal with stainless steel spring.

CODE	FOR HOUSING
410150-204	204
410150-205	205
410150-206	206
410150-207	207
410150-208	208

CODE	FOR HOUSING
410151-204	204
410151-205	205
410151-206	206
410151-207	207
410151-208	208

SPLITTED OVAL BEARING HOUSINGS, AbH, TYPE VL.
Innovating product.



CODE	F1	K	A	B	C	D	E	F	G	H	I	J
410101-204	20	52	115	91	64	15.5	29.3	33.5	6.5	8.5	15	11
410101-205	25	62	127	99	74	16	32.5	39.1	6.5	12.1	15	11
410101-206	30	72	139	116	78	24.3	32.5	46.3	6.5	16.3	15	11
410101-207	35	82	161	130	104	18.3	34.4	41.8	6.5	9.8	16	13
410101-208	40	88	174	144	104	21.5	37.5	46.0	6.5	12.0	18	15

Production material:

- PBT** Body of Polybutylene (Thermoplastic Polyester)
- SS** Rings and greaser SS AISI 304

Technical characteristics:

- Approved by FDA & FSDA.
- Splitted housing body for easier replace of bearing.
- Cover lock bayonet for easier check of the bearing.
- Open cover with washer prevent the grease draining.
- With place for back seal prevent the grease draining.
- Function in temperature from -35 up to +102 Celsius degrees.
- Non corrosion.
- Interchangeable with the cast iron housings.
- High mechanical strength and dimension stability.
- Prevent dirt and bacteria.

Insert accessories:

- Bearing type SB.
- Close bayonet cover.
- Open bayonet cover (with oil seal).
- Back seal with stainless steel spring.

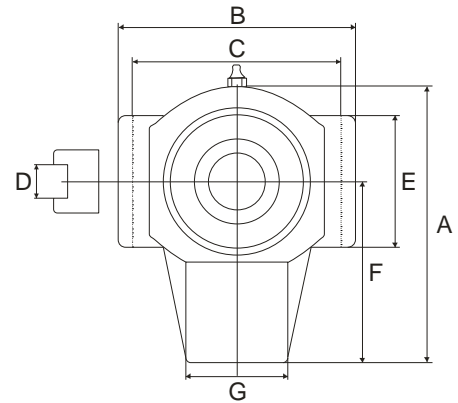


CODE	FOR HOUSING
410150-204	204
410150-205	205
410150-206	206
410150-207	207
410150-208	208

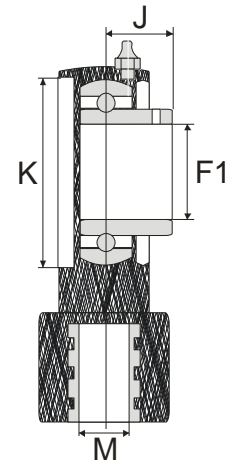


CODE	FOR HOUSING
410151-204	204
410151-205	205
410151-206	206
410151-207	207
410151-208	208

BEARING HOUSINGS, AbH, TYPE NT.



CODE	F1	K	A	B	C	D	E	F	G	M	J
421323-304	20	52	99	87	76	12	47	64	36	16	18,3
421323-305	25	62	99	87	76	12	47	64	36	16	19,7
421323-306	30	72	125	101	89	12	63	76	39	16	22,2
421326-307	35	82	125	101	89	12	63	76	39	16	25,4
421323-308	40	88	140	112	102	16	80	85	40	16	30,2
421323-309	45	93	149	117	102	16	85	90	47	20	30,2
421323-310	50	98	149	117	102	16	85	90	47	20	32,6



Production materials:

- PBT** Body of Polybutylene (Thermoplastic Polyester)
- SS** Thread and greaser SS AISI 304

Technical characteristics:

Approved by FDA & FSDA.
 Close and open cover with washer prevent the grease draining
 With place for back seal prevent the grease draining.
 Function in temperature from -35 up to +102 Celsius degrees.
 Non corrosion.
 Interchangeable with the cast iron housings.
 High mechanical strength and dimension stability.
 Prevent dirt and bacteria.

Insert accessories:

Bearing type SB.
 Close cover.
 Open cover (with oil seal).
 Back seal with stainless steel spring.

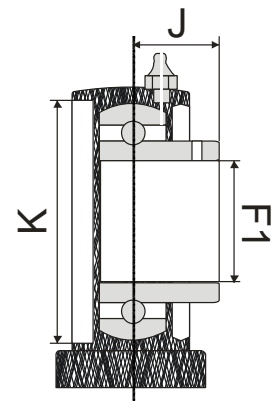
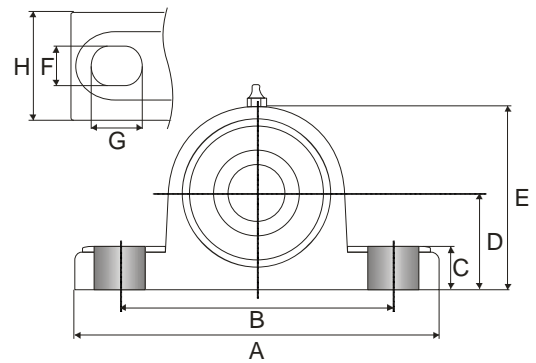


CODE	FOR HOUSING
421321-944	204
421321-945	205
421321-946	206
421321-947	207
421321-948	208
421321-949	209
421321-950	210



CODE	FOR HOUSING
421321-744	204
421321-745	205
421321-746	206
421321-747	207
421321-748	208
421321-749	209
421321-750	210

BEARING HOUSINGS AbH, TYPE OP.



CODE	F1	K	A	B	C	D	E	F	G	H	J
421324-304	20	52	128	95	14,8	33,5	66	11	14	38	18,3
421324-305	25	62	141	105	16,5	36,5	72	11	14	38	19,7
421324-306	30	72	163	119	18,3	42,9	84	14	18	46	22,2
421324-307	35	82	168	127	20	47,6	96	14	18	48	25,4
421324-308	40	88	184	137	21	49,2	99	14	18	50	30,2
421324-309	45	93	192	146	22,5	54	106	17	20	54	30,2
421324-310	50	98	206	159	23,3	57,2	113	17	20	60	32,6

Production materials:

PBT Body of Polybutylene (Thermoplastic Polyester)

SS Rings and greaser SS AISI 304

Technical characteristics:

Approved by FDA & FSDA.
 Close and open cover with washer prevent the grease draining
 With place for back seal prevent the grease draining.
 Function in temperature from -35 up to +102 Celsius degrees.
 Non corrosion.
 Interchangeable with the cast iron housings.
 High mechanical strength and dimension stability.
 Prevent dirt and bacteria.

Insert accessories:

Bearing type SB.
 Close cover.
 Open cover (with oil seal).
 Back seal with stainless steel spring.

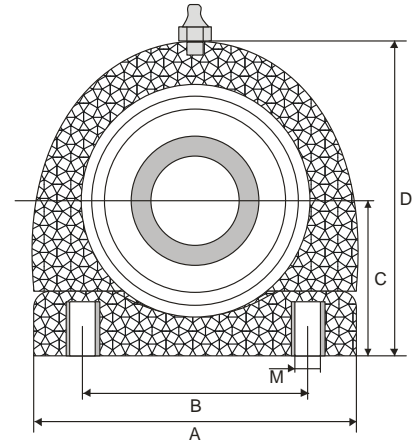


CODE	FOR HOUSING
421321-944	204
421321-945	205
421321-946	206
421321-947	207
421321-948	208
421321-949	209
421321-950	210

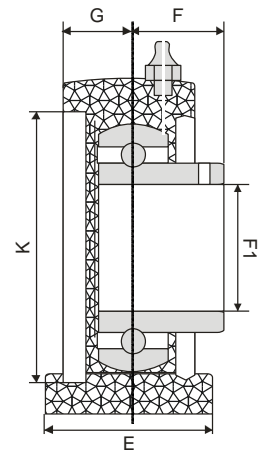


CODE	FOR HOUSING
421321-744	204
421321-745	205
421321-746	206
421321-747	207
421321-748	208
421321-749	209
421321-750	210

HOUSING WITH SMALL BASE, AbH, TYPE TBL.



CODE	F1	K	A	B	C	D	E	F	G	M
421326-204	20	52	73	50,8	33,9	66,2	33	18	12,7	8
421326-205	25	62	76,5	50,8	36,8	73,5	39	19,4	13,2	10
421326-206	30	72	101	76,3	43	84,5	42,4	22	13,9	10
421326-207	35	82	109	82,5	47,6	95,2	46,2	23,5	15,7	10
421326-208	40	88	119	88,8	49	101,4	46,8	25	15,4	12
421326-209	45	93	125	96,5	54,5	110,3	49,3	31,7	17,8	12
421326-210	50	98	135	101,7	56,5	115,2	53,8	31,6	18,4	16



Production materials:

PBT Body of Polybutylene (Thermoplastic Polyester)

SS Threads (M) and greaser SS AISI 304

Technical characteristics:

- Approved by FDA & FSDA.
- Close and open cover with washer prevent the grease draining
- With place for back seal prevent the grease draining.
- Function in temperature from -35 up to +102 Celsius degrees.
- Non corrosion.
- Interchangeable with the cast iron housings.
- High mechanical strength and dimension stability.
- Prevent dirt and bacteria.

Insert accessories:

- Bearing type SB.
- Close cover.
- Open cover (with oil seal).
- Back seal with stainless steel spring.

CODE	FOR HOUSING
421321-944	204
421321-945	205
421321-946	206
421321-947	207
421321-948	208
421321-949	209
421321-950	210

CODE	FOR HOUSING
421321-744	204
421321-745	205
421321-746	206
421321-747	207
421321-748	208
421321-749	209
421321-750	210